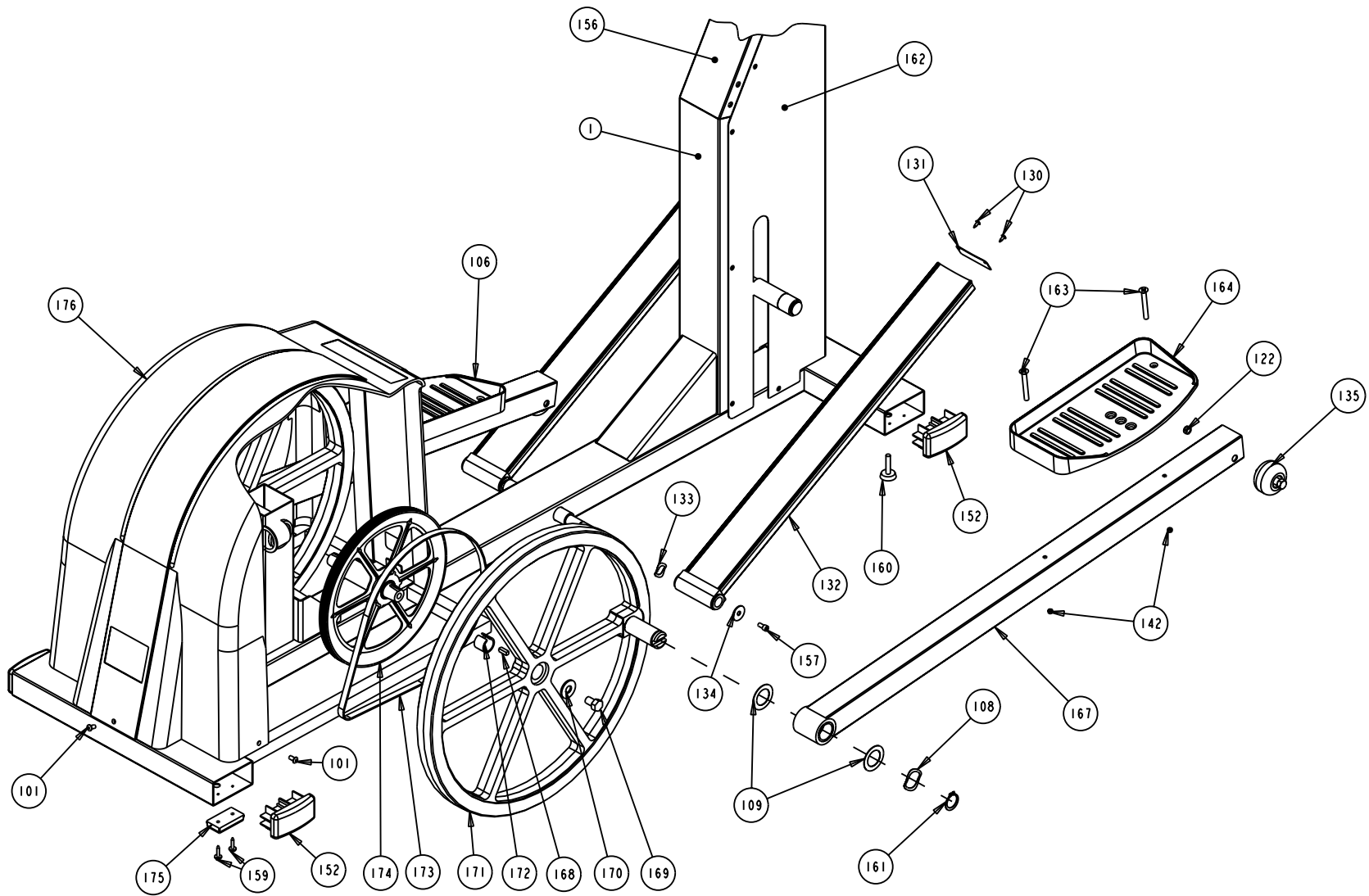
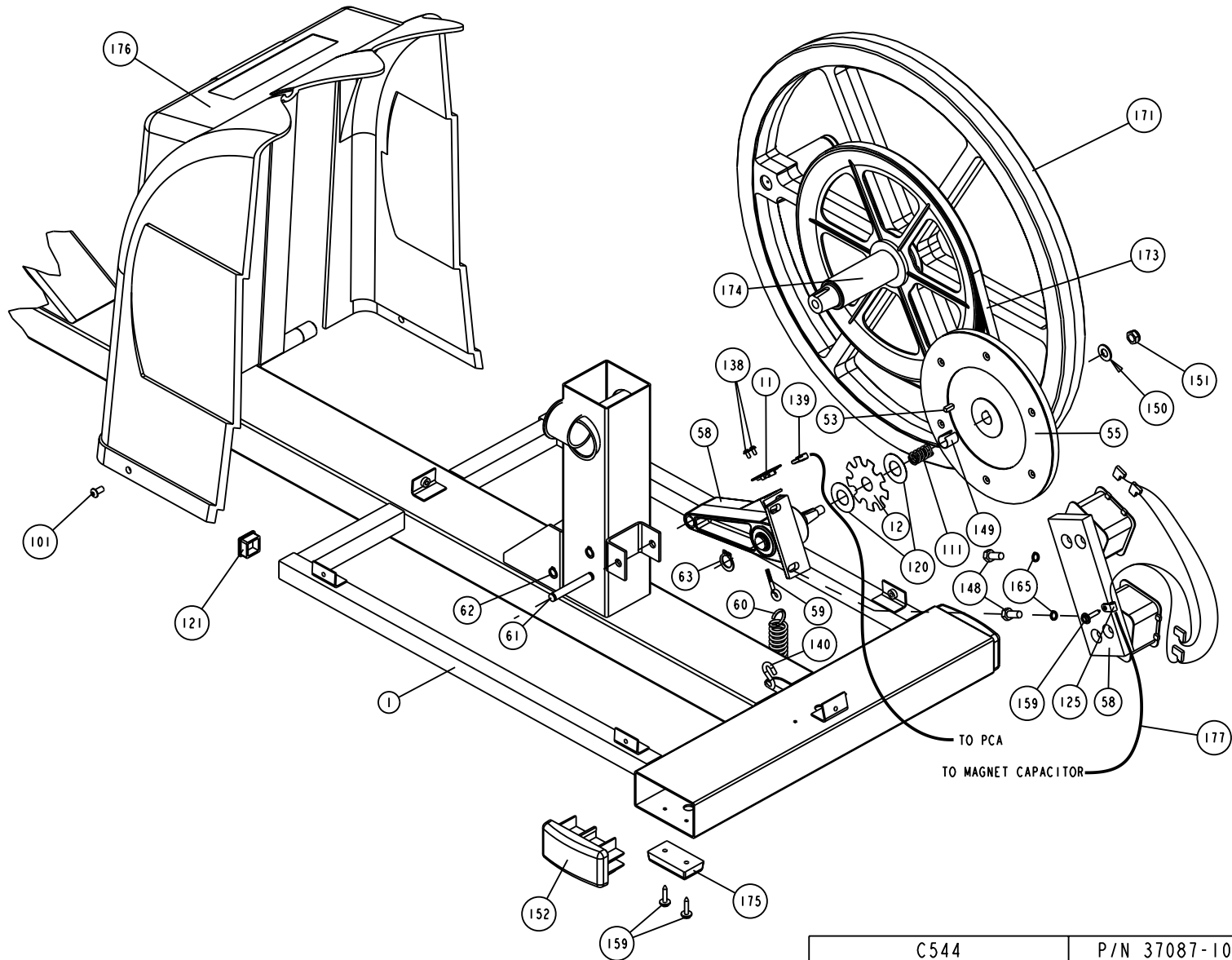


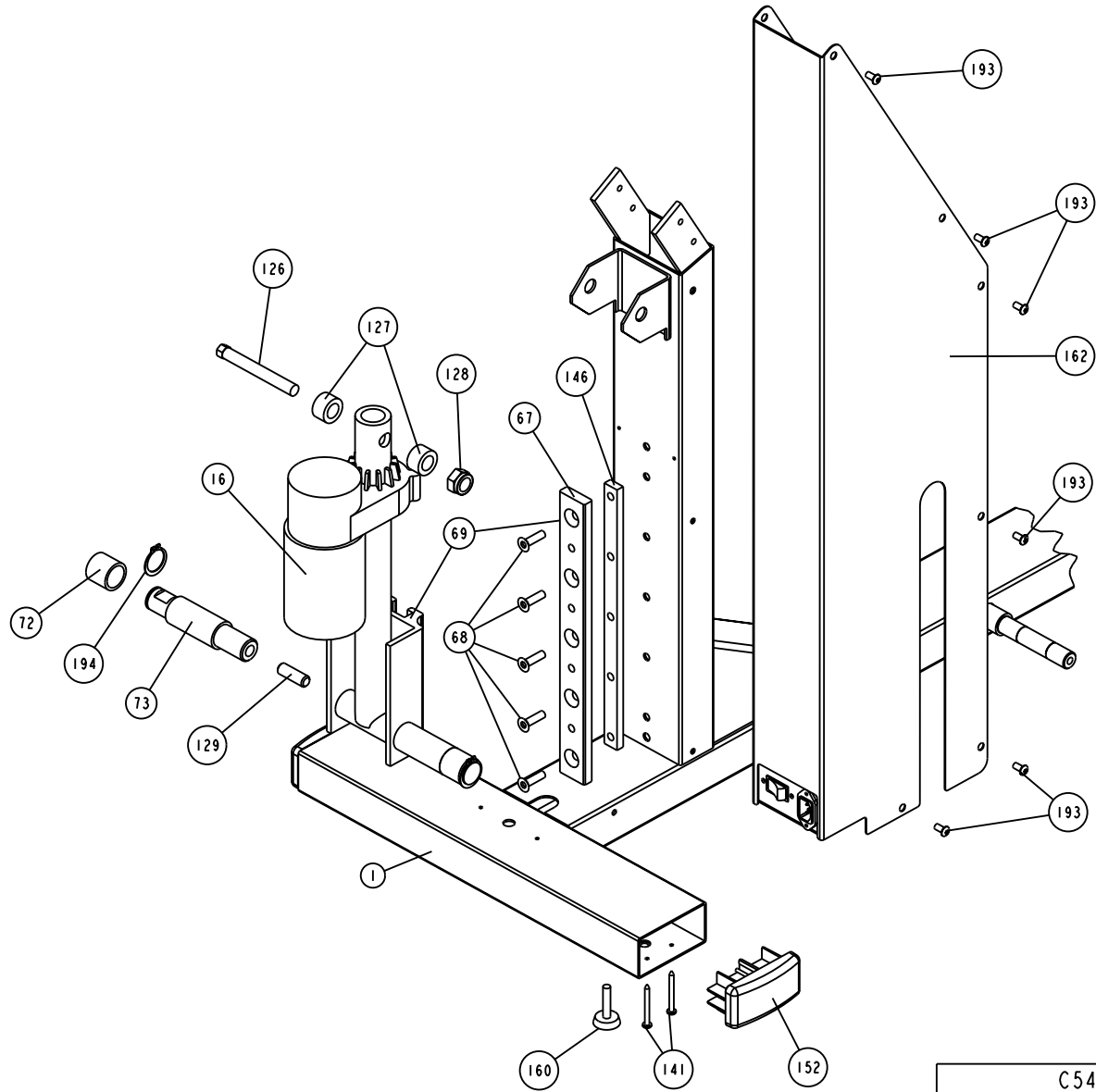
C544	P/N 37087-106	REV: AA
DRAWN BY: GRANADOSIN	DATE: 04.26.02	SHEET 1 OF 6



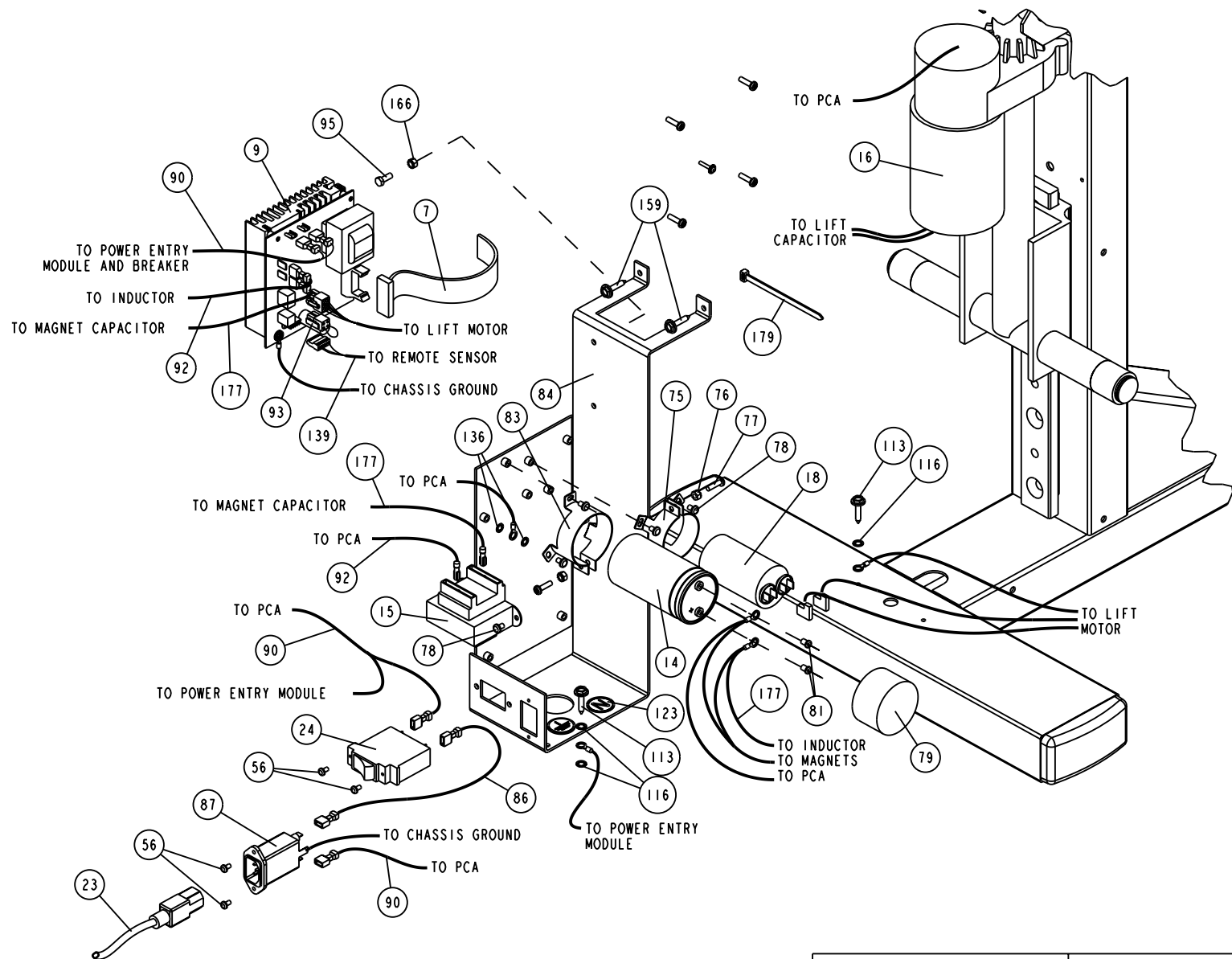
C544	P/N 37087-106	REV: AA
DRAWN BY: GRANADOSIN	DATE: 04.26.02	SHEET 2 OF 6



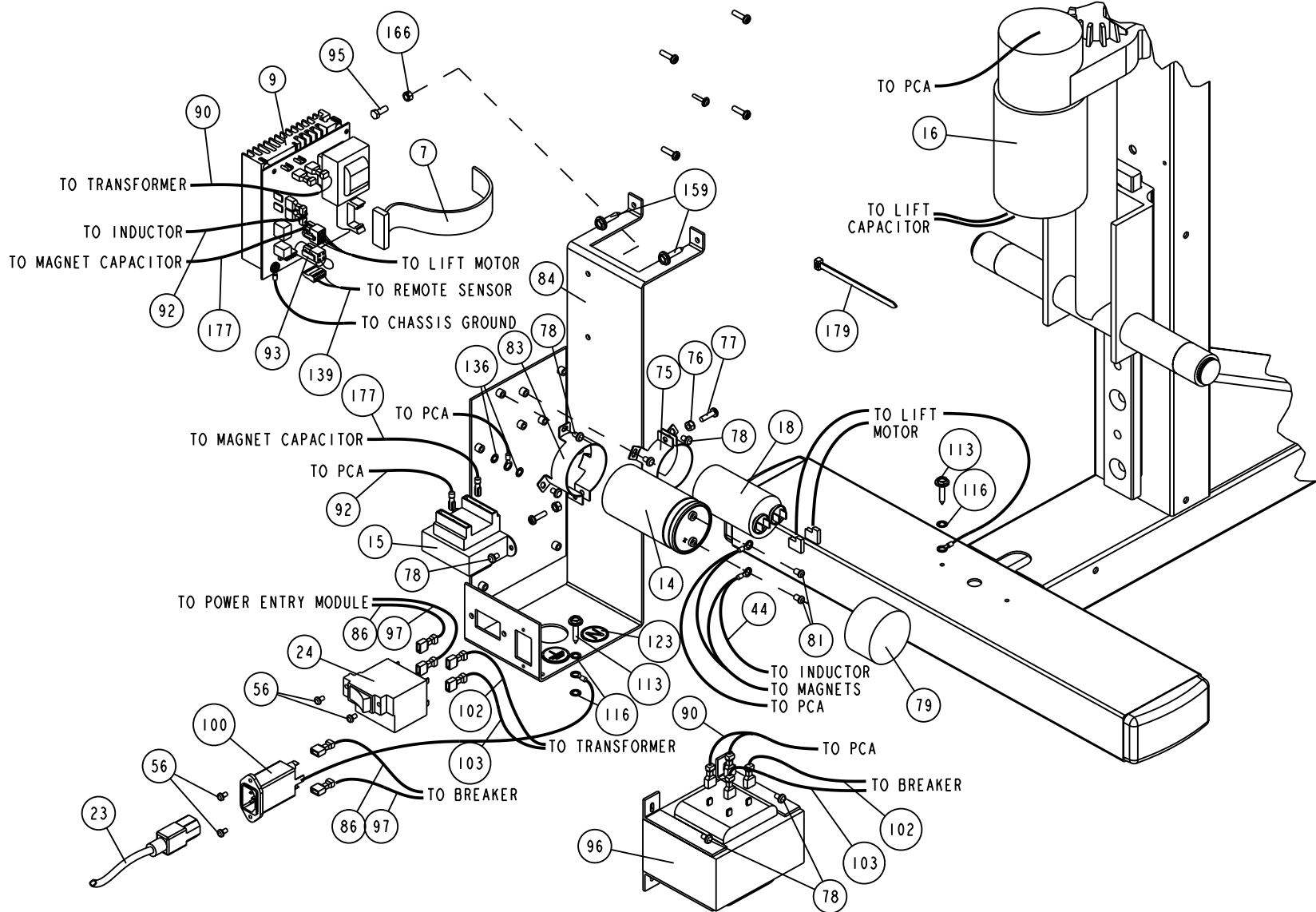
C544	P/N 37087-106	REV: AA
DRAWN BY: GRANADOSIN	DATE: 04.26.02	SHEET 3 OF 6



C544	P/N 37087-106	REV: AA
DRAWN BY: GRANADOSIN	DATE: 04.26.02	SHEET 4 OF 6



C544-120	P/N 37087-106	REV: AA
DRAWN BY: GRANADOSIN	DATE: 04.26.02	SHEET 5 OF 6



C544-240	P/N 37087-106	REV: AA
DRAWN BY: GRANADOSIN	DATE: 04.26.02	SHEET 6 OF 6

C544 (serial code 1X, 5T)

Part Number	Description	Bubble Number
38676-105	PCA, DISPLAY, SFT, CSAFE	4
43555-103	ASSY,PCA&SW,C544,UPR	4.01
37506-306	PROM,C544,UPR,V3.06	5
50514-105	ASSY, DISPLAY HOUSING W/O	6
37012-101	CABLE, DISPLAY, C544	7
37180-102	ASSY, LWR ELECT. MODULE	9
37503-101	PCA, REMOTE SENSOR	11
36814-103	LABEL, SPEED	12
10035-108	CAP,AL-E,2200UF,200V,2.02 X3.69	14
11187-101	INDUCTOR,6.7MH,20%,2A RMS	15
36851-102	ACTUATOR, LIFT	16
11226-101	CAP,MOTOR START,18-22UF,330VAC	18
50515-101	ASSY, HANDLEBAR, LEFT, C544	21
50516-101	ASSY, HANDLEBAR, RIGHT, C544	22
10392-111	POWER CORD,125VAC,10A,8.0 FT	23
10703-102	CKT BRKR,250V,3AMP,MAGNETIC,ROCKER,	24
10123-102	CABLE TIE, 3-7/8 LONG,WHITE,NYL	46
MGKN016-038	SCREW,MCH,8-32X3/8,PANHD,PHIL,	51
10220-106	KEY, SQUARE, 3/16 X .50 LONG	53
EMKN006-008	SCREW,SET,M6XM8,KNRLDCUP,HEXSC	54
MGKN013-025	SCREW,MCH,6-32X1/4,PANHD,PHIL,	56
50529-107	ASSY, MAGNET, PIVOT, EDDY	58
BECN019-100	BOLT, CLOSED EYE, #10-24 X 1.6	59
11363-101	SPRING,EXT, .75 DIA X3.00 LONG	60
AAHN038-004	RING, RETAINING, 3/8, EXT, .042	62
50530-104	KIT, LIFT GUIDE REPLACEMENT	67
MACKN032-125	SCREW,MCH,5/16-18X1-1/4,FLTHD,HEX	68
50548-101	ASSY, LIFT GUIDE/BRACKET	69.01
CAKN025-050	SCREW,SKHD,1/4-20X0.50,BLK ZN,LK	71
37041-102	WEAR TUBE, LIFT AXLE	72
50533-104	ASSY, LOWER, LIFT SHAFT	73
10036-104	CLAMP,CAPACITOR,1.75 DIA	75
KGCN016-013	LOCKNUT, STARWASHER 8-32, HEX	76
MGCN016-063	SCREW,MCH,8-32X5/8,PANHD,PHIL,	77
MGCN016-025	SCREW,MCH,8-32X1/4,PANHD,PHIL,	78
36790-102	COVER, FRONT, ELECT, PAINTED	80
MHCN019-025	SCREW,MCH,10-32X1/4,PANHD,PHIL	81
10036-101	CLAMP,CAPACITOR,2.0 NOM	83
37532-101	ASSY, POWER ENTRY MODULE, 120V	87
36853-101	ASSY, LIFT JUMPER, C544	93
MAACN019-075	SCREW,MCH,10-32X3/4,HEX,ZN	95
TCNN025-050	SCREW,BTHD,1/4-20X1/2,SS	101
WAGNN131-002	WASHER, WAVE, 1.516 OD X	108
WAPNN125-003	WASHER, THRUST, 1.25 ID X	109
10231-116	SPRING, COMPRESSION, .845 OD	111
PKCN019-075	SCREW,S/T,#10X.75,WSHHXHD,ZN	113
PGKN016-050	SCREW,S/T,#8X1/2,TRS,PHIL,BLK	115
WATNN020-002	WASHER, LK-INT, #10, ID=.200,	116
50527-102	ASSY, READING RACK, EFX	117

WNNN075-002	WASHER, FLT,3/4X1.50X.015	120
11240-101	CAP, END, PLASTIC, SQUARE, 1	121
KADN031-016	LOCKNUT,HALF,5/16-18,CAD PLT	122
37436-101	LABEL, CHASIS NEUTRAL	123
11104-101	CLAMP, CABLE, PLASTIC	125
KACN063-027	LOCKNUT,HALF,5/8-11,ZN	128
10496-106	ROD,THREADED,1/2-13,1.50LENGTH	129
PGKN016-050	SCREW,S/T,#8X1/2,TRS,PHIL,BLK	130
37549-101	ENDCAP	131
50534-102	ASSY, RAMP WITH END CAPS	132
WAGSN072-001	WASHER, WAVE .1.05 O.D., .755	133
WPNN032-006	WASHER, STAINLESS STEEL,	134
50532-108	ASSY, WHEEL	135
WATNN017-002	WASHER, LK-INT, #8, ID=.170,	136
37437-102	LABEL, FUSE, FIRE HAZARD	137
DGCN013-031	SCREW, PAN HEAD, CONE WASHER,	138
37537-102	ASSY, CABLE, REMOTE SENSOR,	139
11283-101	HOOK, S	140
PBCN019-200	SCREW,S/T,#10X2,PANHD,PHIL,ZN,	141
PJCN019-200	SCREW,10X 2 X 2.0 HEX WA HD,	141
KAKN025-013	LOCKNUT,HALF,1/4-20,BLK ZN	142
37813-102	GASKET, MID-JOINT	144
37811-101	TAPE, FLYWHEEL	145
37881-101	PLATE,SPACER,LIFT GUIDE	146
37278-101	GUARD, UPRIGHT COLUMN	147
HCRN031-075	SCREW,HEX,GR 5,5/16-18X3/4,SIL ZN	148
37854-101	BUSHING, TAPERED	149
WBNN038-007	WASHER, FLT, 3/8, ID=.406,	150
KBDN038-015	LOCKNUT,HALF,3/8-24,CAD PLT	151
34063-101	ENDCAP	152
37499-102	CLAMP, HANDLEBAR,BLACK, PT	153
CCNE025-150	SCREW,SKHD,1/4-20X1.50,SS,LK	154
50553-101	ASSY,CSAFE DISPLAY PLATE,C544	155
CCNE031-050	SCREW,SKHD,5/16-18X0.50,SS,LK	157
WENN031-007	WASHER, FLT, 5/16X.688X.065,SS	158
PKKN019-075	SCREW,S/T,#10X3/4,WSHRHXHD,BLK	159
11211-102	LEVELER, 3/8-16 X 1.50	160
AAHN110-005	RING,RETAINER,EXTERNAL,TREADS	161
50523-106	ASSY, FRONT COVER W/LABELS,	162
MRNN025-250	SCREW, MCH, 1/4-20X2-1/2,FLTHD,HEX	163
37161-201	PEDAL, FOOT, PAINTED, C544	164
WALCN031-008	WASHER, 5/16 SPLIT LOCK, ZINC	165
KHCN019-013	LOCKNUT, STARWASHER, 10-32,	166
37283-104	ASSY,STAIRARM	167
10220-108	KEY, 1/4 SQ X 3/4 , CRS	168
HECE050-075	SCREW,1/2-13 X 3/4,HEX 7/8,	169
WTCN050-010	WASHER,GRADE 8,1/2,I.D.9/16,	170
50528-106	ASSY, FLYWHEEL, C544	171
37828-101	BUSHING, TAPER	172
10217-120	BELT, POLY-V, 42 , 420J6	173
50517-108	ASSY, PULLEY W/SHAFT, C544	174

31074-101	FOOT, MOLDED PLASTIC C760,C844	175
50519-106	ASSY,,COVER W/LABELS	176
36761-104	BAR, MAGNET, PHOSPHATE WASHED	178
50524-103	ASSY, WHEEL W/BEARINGS, C544	182
37347-103	PIN, STAIRARM	183
34056-102	COIL,MAGNET,200 DEG C,CLASS H	187
36762-105	PLATE, MAGNET, PAINTED	190
MACKN031-100	SCREW,MCH,5/16-18X1,FLTHD,HEX	191
11239-101	BUSHING, SNAP,1 ID X 1.375 OD	192
CCNN025-050	SCREW,SKHD,1/4-20 X0.50,SS,LK	193
10133-101	RING,RETAINER,EXTERNAL,1	194
AAHN100-004	RING,RETAINER,EXTERNAL,1	194
36986-106	OWNERS MANUAL, C544	202
37168-101	KIT,HARDWARE,C544 120V US	205
50525-106	ASSY, FLYWHEEL RETROFIT KIT	206
50526-103	ASSY,SHIPPER,C544	207
50531-111	ASSY, RETRO KIT, RAMP	208
20090-101	PLATE, NUT, C544	209
37212-105	LABEL, FLYWHEEL COVER, LEFT,	210
37212-106	LABEL, FLYWHEEL COVER, RIGHT,	211
50557-101	KIT,REPLACEMENT,WHEEL SPACER	213
50562-101	KIT,C544 RETROFIT NEEDLE	214
43830-101	ASSY, PIVOT BRACKET INSTALL, C544	215
AAHN100-004	RING,RETAINER,EXTERNAL,1	221
10427-111	FUSE,SLOW,,25A,250V,1/4 DIA	250
10427-140	FUSE,SLOW,2A,250V,1/4 DIA	251

C544 (serial code 1X, 5T)

Part Number	Description	Bubble Number
38676-105	PCA, DISPLAY, SFT, CSAFE	4
43555-103	ASSY,PCA&SW,C544,UPR	4.01
37506-306	PROM,C544,UPR,V3.06	5
50514-105	ASSY, DISPLAY HOUSING W/O	6
37012-101	CABLE, DISPLAY, C544	7
37180-102	ASSY, LWR ELECT. MODULE	9
37503-101	PCA, REMOTE SENSOR	11
36814-103	LABEL, SPEED	12
10035-108	CAP,AL-E,2200UF,200V,2.02 X3.69	14
11187-101	INDUCTOR,6.7MH,20%,2A RMS	15
36851-102	ACTUATOR, LIFT	16
11226-101	CAP,MOTOR START,18-22UF,330VAC	18
50515-101	ASSY, HANDLEBAR, LEFT, C544	21
50516-101	ASSY, HANDLEBAR, RIGHT, C544	22
10392-111	POWER CORD,125VAC,10A,8.0 FT	23
10703-102	CKT BRKR,250V,3AMP,MAGNETIC,ROCKER,	24
10123-102	CABLE TIE, 3-7/8 LONG,WHITE,NYL	46
MGKN016-038	SCREW,MCH,8-32X3/8,PANHD,PHIL,	51
10220-106	KEY, SQUARE, 3/16 X .50 LONG	53
EMKN006-008	SCREW,SET,M6XM8,KNRLDCUP,HEXSC	54
MGKN013-025	SCREW,MCH,6-32X1/4,PANHD,PHIL,	56
50529-107	ASSY, MAGNET, PIVOT, EDDY	58
BECN019-100	BOLT, CLOSED EYE, #10-24 X 1.6	59
11363-101	SPRING,EXT, .75 DIA X3.00 LONG	60
AAHN038-004	RING, RETAINING, 3/8, EXT, .042	62
50530-104	KIT, LIFT GUIDE REPLACEMENT	67
MACKN032-125	SCREW,MCH,5/16-18X1-1/4,FLTHD,HEX	68
50548-101	ASSY, LIFT GUIDE/BRACKET	69.01
CAKN025-050	SCREW,SKHD,1/4-20X0.50,BLK ZN,LK	71
37041-102	WEAR TUBE, LIFT AXLE	72
50533-104	ASSY, LOWER, LIFT SHAFT	73
10036-104	CLAMP,CAPACITOR,1.75 DIA	75
KGCN016-013	LOCKNUT, STARWASHER 8-32, HEX	76
MGCN016-063	SCREW,MCH,8-32X5/8,PANHD,PHIL,	77
MGCN016-025	SCREW,MCH,8-32X1/4,PANHD,PHIL,	78
36790-102	COVER, FRONT, ELECT, PAINTED	80
MHCN019-025	SCREW,MCH,10-32X1/4,PANHD,PHIL	81
10036-101	CLAMP,CAPACITOR,2.0 NOM	83
37532-101	ASSY, POWER ENTRY MODULE, 120V	87
36853-101	ASSY, LIFT JUMPER, C544	93
MAACN019-075	SCREW,MCH,10-32X3/4,HEX,ZN	95
TCNN025-050	SCREW,BTHD,1/4-20X1/2,SS	101
WAGNN131-002	WASHER, WAVE, 1.516 OD X	108
WAPNN125-003	WASHER, THRUST, 1.25 ID X	109
10231-116	SPRING, COMPRESSION, .845 OD	111
PKCN019-075	SCREW,S/T,#10X.75,WSHHXHD,ZN	113
PGKN016-050	SCREW,S/T,#8X1/2,TRS,PHIL,BLK	115
WATNN020-002	WASHER, LK-INT, #10, ID=.200,	116
50527-102	ASSY, READING RACK, EFX	117

WNNN075-002	WASHER, FLT,3/4X1.50X.015	120
11240-101	CAP, END, PLASTIC, SQUARE, 1	121
KADN031-016	LOCKNUT,HALF,5/16-18,CAD PLT	122
37436-101	LABEL, CHASIS NEUTRAL	123
11104-101	CLAMP, CABLE, PLASTIC	125
KACN063-027	LOCKNUT,HALF,5/8-11,ZN	128
10496-106	ROD,THREADED,1/2-13,1.50LENGTH	129
PGKN016-050	SCREW,S/T,#8X1/2,TRS,PHIL,BLK	130
37549-101	ENDCAP	131
50534-102	ASSY, RAMP WITH END CAPS	132
WAGSN072-001	WASHER, WAVE .1.05 O.D., .755	133
WPNN032-006	WASHER, STAINLESS STEEL,	134
50532-108	ASSY, WHEEL	135
WATNN017-002	WASHER, LK-INT, #8, ID=.170,	136
37437-102	LABEL, FUSE, FIRE HAZARD	137
DGCN013-031	SCREW, PAN HEAD, CONE WASHER,	138
37537-102	ASSY, CABLE, REMOTE SENSOR,	139
11283-101	HOOK, S	140
PBCN019-200	SCREW,S/T,#10X2,PANHD,PHIL,ZN,	141
PJCN019-200	SCREW,10X 2 X 2.0 HEX WA HD,	141
KAKN025-013	LOCKNUT,HALF,1/4-20,BLK ZN	142
37813-102	GASKET, MID-JOINT	144
37811-101	TAPE, FLYWHEEL	145
37881-101	PLATE,SPACER,LIFT GUIDE	146
37278-101	GUARD, UPRIGHT COLUMN	147
HCRN031-075	SCREW,HEX,GR 5,5/16-18X3/4,SIL ZN	148
37854-101	BUSHING, TAPERED	149
WBNN038-007	WASHER, FLT, 3/8, ID=.406,	150
KBDN038-015	LOCKNUT,HALF,3/8-24,CAD PLT	151
34063-101	ENDCAP	152
37499-102	CLAMP, HANDLEBAR,BLACK, PT	153
CCNE025-150	SCREW,SKHD,1/4-20X1.50,SS,LK	154
50553-101	ASSY,CSAFE DISPLAY PLATE,C544	155
CCNE031-050	SCREW,SKHD,5/16-18X0.50,SS,LK	157
WENN031-007	WASHER, FLT, 5/16X.688X.065,SS	158
PKKN019-075	SCREW,S/T,#10X3/4,WSHRHXHD,BLK	159
11211-102	LEVELER, 3/8-16 X 1.50	160
AAHN110-005	RING,RETAINER,EXTERNAL,TREADS	161
50523-106	ASSY, FRONT COVER W/LABELS,	162
MRNN025-250	SCREW, MCH, 1/4-20X2-1/2,FLTHD,HEX	163
37161-201	PEDAL, FOOT, PAINTED, C544	164
WALCN031-008	WASHER, 5/16 SPLIT LOCK, ZINC	165
KHCN019-013	LOCKNUT, STARWASHER, 10-32,	166
37283-104	ASSY,STAIRARM	167
10220-108	KEY, 1/4 SQ X 3/4 , CRS	168
HECE050-075	SCREW,1/2-13 X 3/4,HEX 7/8,	169
WTCN050-010	WASHER,GRADE 8,1/2,I.D.9/16,	170
50528-106	ASSY, FLYWHEEL, C544	171
37828-101	BUSHING, TAPER	172
10217-120	BELT, POLY-V, 42 , 420J6	173
50517-108	ASSY, PULLEY W/SHAFT, C544	174

31074-101	FOOT, MOLDED PLASTIC C760,C844	175
50519-106	ASSY,,COVER W/LABELS	176
36761-104	BAR, MAGNET, PHOSPHATE WASHED	178
50524-103	ASSY, WHEEL W/BEARINGS, C544	182
37347-103	PIN, STAIRARM	183
34056-102	COIL,MAGNET,200 DEG C,CLASS H	187
36762-105	PLATE, MAGNET, PAINTED	190
MACKN031-100	SCREW,MCH,5/16-18X1,FLTHD,HEX	191
11239-101	BUSHING, SNAP,1 ID X 1.375 OD	192
CCNN025-050	SCREW,SKHD,1/4-20 X0.50,SS,LK	193
10133-101	RING,RETAINER,EXTERNAL,1	194
AAHN100-004	RING,RETAINER,EXTERNAL,1	194
36986-106	OWNERS MANUAL, C544	202
37168-101	KIT,HARDWARE,C544 120V US	205
50525-106	ASSY, FLYWHEEL RETROFIT KIT	206
50526-103	ASSY,SHIPPER,C544	207
50531-111	ASSY, RETRO KIT, RAMP	208
20090-101	PLATE, NUT, C544	209
37212-105	LABEL, FLYWHEEL COVER, LEFT,	210
37212-106	LABEL, FLYWHEEL COVER, RIGHT,	211
50557-101	KIT,REPLACEMENT,WHEEL SPACER	213
50562-101	KIT,C544 RETROFIT NEEDLE	214
43830-101	ASSY, PIVOT BRACKET INSTALL, C544	215
AAHN100-004	RING,RETAINER,EXTERNAL,1	221
10427-111	FUSE,SLOW,,25A,250V,1/4 DIA	250
10427-140	FUSE,SLOW,2A,250V,1/4 DIA	251